



Strong & Smart

Apex Manual stacker is built with smart body and smartly designed to look attractive.

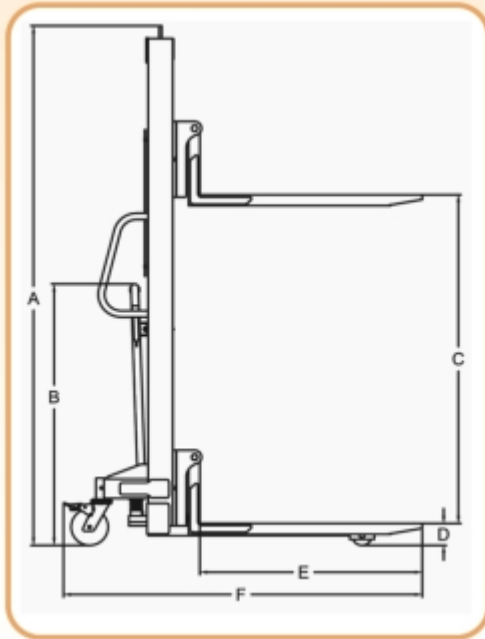
Smooth Operation

These Manual stacker are designed to offer a very smooth and easy operation to the user.

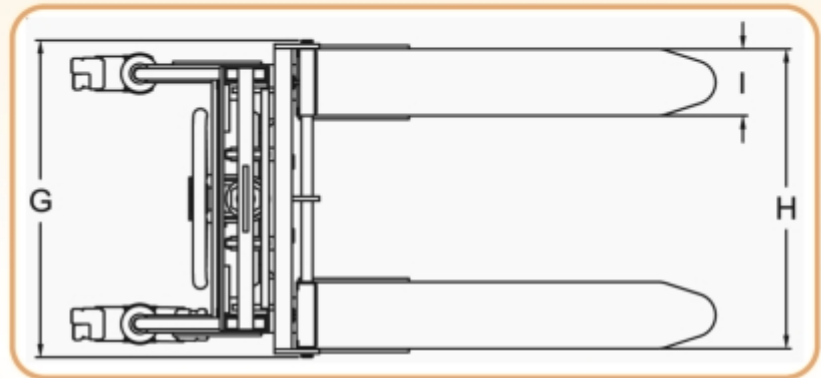
Easy Maintenance

Our Stacker is easy and inexpensive to maintain with our genuine parts, that are easily available.

Apex manual stacker offers a complete range of solutions in handling pallets. It is a reliable product with very high quality designed by our internal R&D department. The Fork Structure is single piece press-band, made by very thick steel to make the Fork strong for lifting heavy loads. The stacker lifts the weights effortlessly & quickly with a manual or pedal hydraulic device pump for fatigue free operation. The foot brake performs the parking brake function with a double lock.



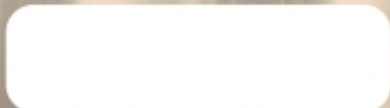
The manual stacker is available in powder coated finish to protect from rust and corrosion. The user friendly system of our manual stacker helps in Lifting, Stacking and Transferring material to the most confined congested areas.



TECHNICAL SPECIFICATIONS

PARTICULARS		UNIT	MHSA/1.0	MHSA/1.5	MHSA/2.0
Load Capacity		Tons	1.0	1.5	2.0
Overall Height	(A)	mm	2135	2135	2135
Operational Height	(B)	mm	1070	1070	1070
Max. Fork Height	(C)	mm	1500	1500	1500
Min. Fork Height	(D)	mm	90	90	90
Fork Length	(E)	mm	900	900	900
Overall Length	(F)	mm	1470	1575	1600
Overall Width	(G)	mm	725	710	710
Max. Fork Width	(H)	mm	685	670	670
Fork Width	(I)	mm	152	152	152
Steering Wheel Size		mm	Ø150 x 50	Ø150 x 50	Ø200 x 50
Size of Loading Wheel		mm	Ø80 x 70	Ø80 x 70	Ø80 x 70
Self Weight		Kg	190	245	275
Wheel Type (Drive/Load)			PU/Nylon	PU/Nylon	PU/Nylon
Colour			Orange	Orange	Orange

Authorized Dealer



Manufactured By : Bharat Industrial Corporation Pvt. Ltd.